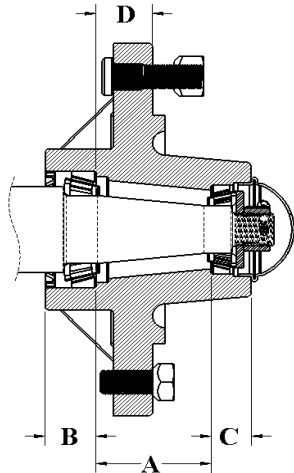
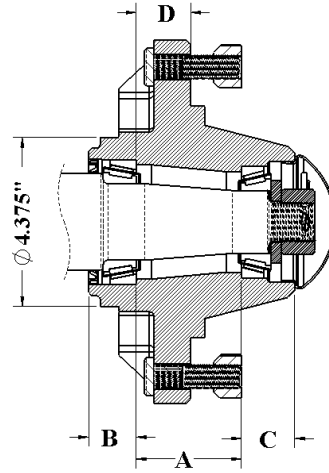


8-Bolt, 8" Bolt Circle, 6" Pilot



G45-8/G45-8S



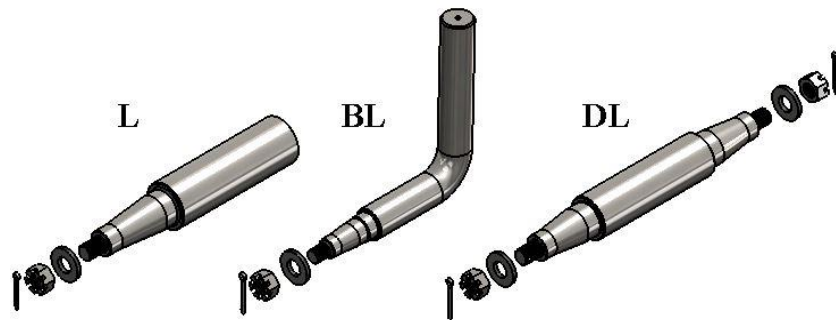
G50-8S/G50-8SB

MOD	CAP LBS	HUB COMP	HUB CUPS	INNER CUP	OUTER CUP	INNER CONE	BORE DIA.	OUTER CONE	BORE DIA.	HUB CAP	BOLT STUD NUT	SEAL	A	B	C	D
G45-8	4500	G281070	G28107 1	G910276 LM603011	G910257 LM67010	G910277 LM603049	1.78	G910259 LM67048	1.25	G909905	G913538	G906297	2.83	1.26	0.97	1.38
G45-8S	4500	G281530	G28158 9	G910276 LM603011	G910257 LM67010	G910277 LM603049	1.78	G910259 LM67048	1.25	G909905	G913556 G913557	G906297	2.83	1.26	0.97	1.38
G50-8S	5000	G281373	G28137 1	G910304 JLM104910	G910272 LM501310	G910305 JLM104948	1.97	G910273 LM501349	1.62	G909912	G913556 G913557	G946492	2.71	1.21	1.37	1.42
G50-8SB	5000	G281374	G28136 9	G910304 JLM104910	G910272 LM501310	G910305 JLM104948	1.97	G910273 LM501349	1.62	G909912	G913556 G913557	G946492	2.71	1.21	1.37	1.42

Bolt Pattern For Brake On Model G50-8B Is 8 On 5.50" B.C. (1/2-20 UNF)

G45-8 Hub Capacity Based On 1.12" Positive Offset.

G50-8 Hub Capacity Based On a 0.38" Positive Offset

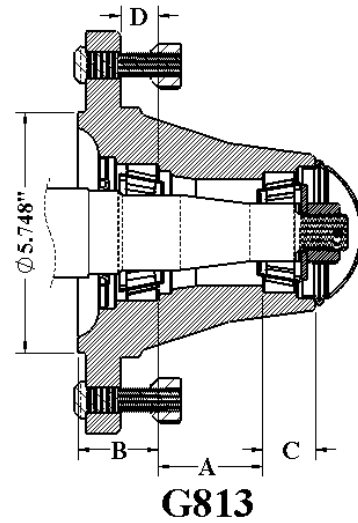
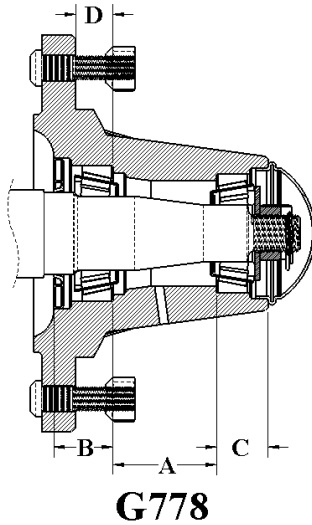


FITS MOD #	MAT'L	MAT'L DIA.	SPINDLE PACKAGE	SPINDLE ONLY	WASHER	NUT	PIN	OVERALL LENGTH	THREAD	SEAL DIA.
G45-8 G45-8B	CRS	2-1/4"	G281306	G281250	G913616	G912953	G905936	14.000"	3/4-16	2.250
G50-8 G50-8B	CRS	2-1/2"	G286048	G286047	G913624	G912959	G905942	12.500"	1-14	2.500

For customer specific spindle needs, please refer to the Spindle Special Order page (Page 5).

8-Bolt, 8" Bolt Circle, 6" Pilot

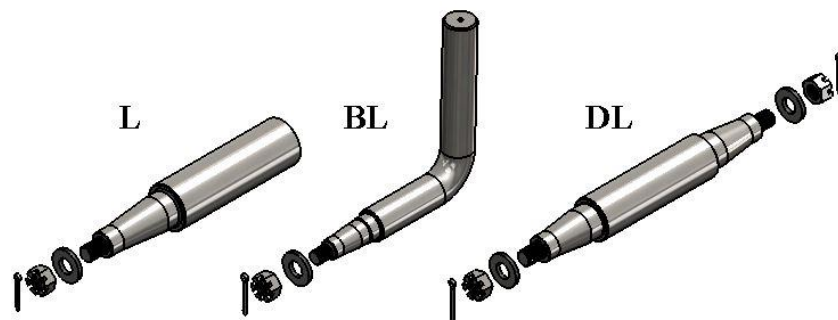
G813 Available With Studs Loose.



MOD	CAP LBS	HUB COMP	HUB CUPS	INNER CUP	OUTER CUP	INNER CONE	BORE DIA.	OUTER CONE	BORE DIA.	HUB CAP	BOLT STUD NUT	SEAL	A	B	C	D
G778	4910	G280600	G280601	G910265 25520	G910266 25821	G910267 25590	1.79	G910268 25877	1.38	G909982	G913538	G906285	2.50	1.75	1.12	0.88
G813	4910	G287180	G287181	G910265 25520	G910266 25821	G910267 25590	1.79	G910268 25877	1.38	G909982	G913550 G913549	G906285	2.50	1.75	1.12	0.88

Bolt Pattern For Brake On Model G813 Is 8-Bolt On 8.00" Studs Thru.

Hub Capacity Based On 1.50" Negative Offset.

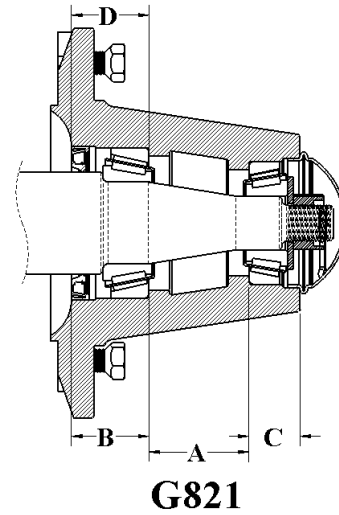
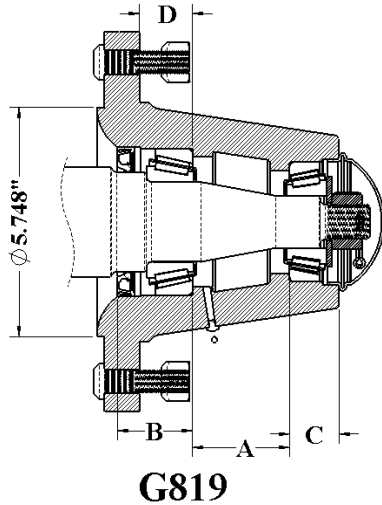


FITS MOD #	MAT'L	MAT'L DIA.	SPINDLE PACKAGE	SPINDLE ONLY	WASHER	NUT	PIN	OVERALL LENGTH	THREAD	SEAL DIA.
G778 G813	CRS	2-1/8"	G280744	G280731	G913683	G912952	G905936	15.437"	7/8-14	2.00

For customer specific spindle needs, please refer to the Spindle Special Order page (Page 5).

8-Bolt, 8" Bolt Circle, 6" Pilot

G819 Available With Studs Loose.



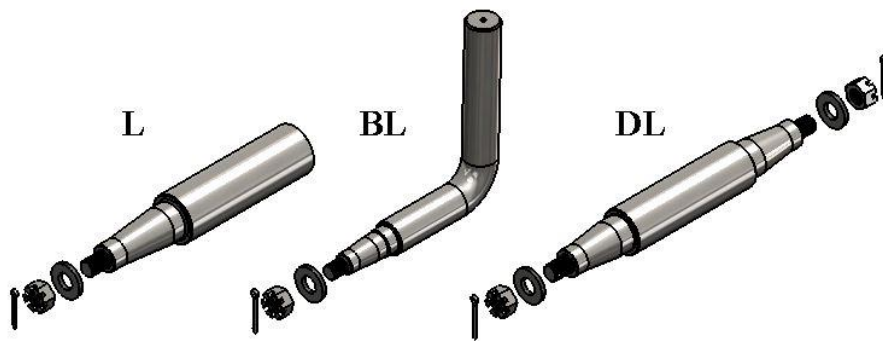
MOD	CAP LBS	HUB COMP	HUB CUPS	INNER CUP	OUTER CUP	INNER CONE	BORE DIA.	OUTER CONE	BORE DIA.	HUB CAP	BOLT STUD NUT	SEAL	A	B	C	D
G819	5790	G280670	G280671	G910284 3720	G910285 2720	G910286 3780	2.00	G910287 2790	1.31	G909982	G913550 G913549	G906481	2.44	2.41	1.25	1.34
G821	5790	G280680	G280681	G910284 3720	G910285 2720	G910286 3780	2.00	G910287 2790	1.31	G909982	G913538	G906481	2.44	2.41	1.25	1.34

Bolt Pattern For Brake On Model G819 Is 8-Bolt On 8.00" Studs Thru.

Hub Capacity Based On 1.50" Negative Offset.

Longer Stud Available G913551 2-1/2" Long

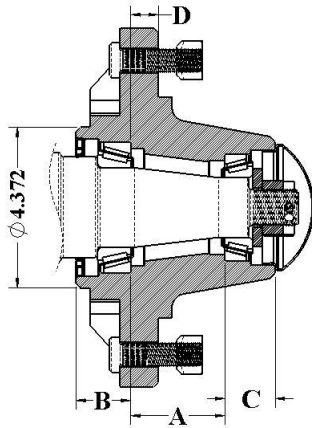
Longer Lug Bolt Available G913955 1-1/2" Long



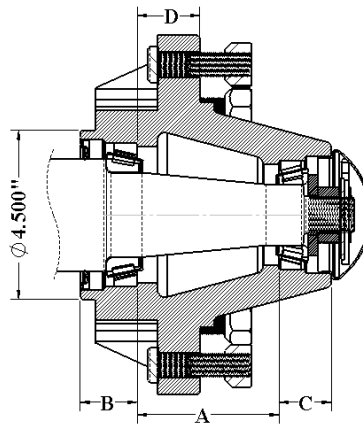
FITS MOD #	MAT'L	MAT'L DIA.	SPINDLE PACKAGE	SPINDLE ONLY	WASHER	NUT	PIN	OVERALL LENGTH	THREAD	SEAL DIA.
G819	CRS	2-3/4"	G280985	G280986	G913683	G912952	G905936	14.380"	7/8-14	2.500
G821	CRS	2-1/2"	G280980	G280981	G913683	G912952	G905936	15.437"	7/8-14	2.500

For customer specific spindle needs, please refer to the Spindle Special Order page (Page 5).

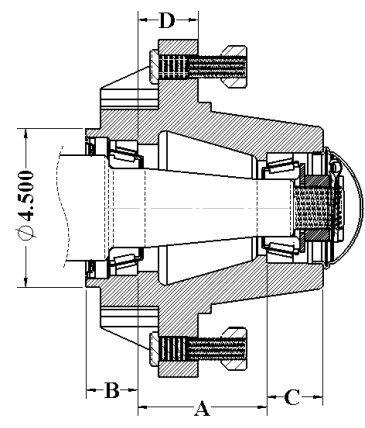
8-Bolt, 8" Bolt Circle, 6" Pilot



G60-8/G608B



G75-8/G75-8B

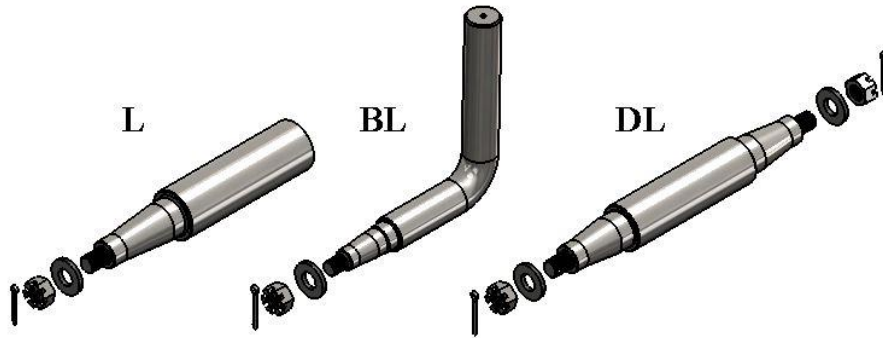


G75-8H/G75-8-BH

MOD	CAP LBS	HUB COMP	HUB CUPS	INNER CUP	OUTER CUP	INNER CONE	BORE DIA.	OUTER CONE	BORE DIA.	HUB CAP	STUD NUT	SEAL	A	B	C	D
G60-8	6000	G281080	G281089	G910292 JLM506810	G910272 LM501310	G910293 JLM506849	2.16	G910273 LM501349	1.63	G909912	G913556 G913557	G906486	2.56	1.50	1.37	0.75
G60-8B	6000	G281090	G281099	G910292 JLM506810	G910272 LM501310	G910293 JLM506849	2.16	G910273 LM501349	1.63	G909912	G913556 G913557	G906496	2.56	1.50	1.37	0.75
G75-8	7500	G281180	G281189	G910358 382A	G910272 LM501310	G910359 387AS	2.25	G910273 LM501349	1.63	G909912	G943541 G913557	G946486	3.77	1.52	1.39	1.66
G75-8B	7500	G281520	G281529	G910358 382A	G910272 LM501310	G910359 387AS	2.25	G910273 LM501349	1.63	G909912	G943541 G913557	G946486	3.77	1.52	1.39	1.66
G75-8H	8000	G281180H	G281189H	G910358 382A	G910278 26822	G910359 387AS	2.25	G910279 26882	1.63	G909982	G953021 G913571	G946484	3.56	1.57	1.60	1.67
G75-8BH	8000	G281250H	G281529H	G910358 382A	G910278 26822	G910359 387AS	2.25	G910279 26882	1.63	G909982	G953021 G913571	G946484	3.56	1.57	1.60	1.67

Brake Bolt Pattern For Hubs Above Are 8 On 5.5" B.C. (1/2-20UNF)

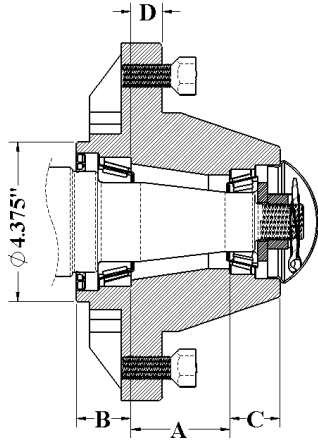
Hub Capacity Based On 0.38" Positive Offset.



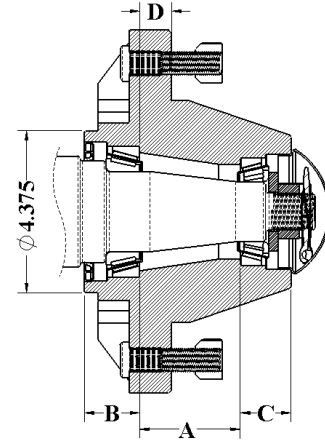
FITS MOD #	MAT'L	MAT'L DIA.	SPINDLE PACKAGE	SPINDLE ONLY	WASHER	NUT	PIN	OVERALL LENGTH	THREAD	SEAL DIA.
G60-8	CRS	2-3/4"	G281315	G281260	G913624	G912959	G905941	14.000"	1-14	2.750
G75-8	CRS	3"	G281910	G281911	G913624	G912959	G905941	16.000"	1-14	3.000
G75-HD	CRS	3"	G281912	G281813	G913637	G912962	G905941	16.000"	1-1/4-12	3.000

For customer specific spindle needs, please refer to the Spindle Special Order page (Page 5).

8-Bolt, 8" Bolt Circle, 6" Pilot



G80-8/G80-8B

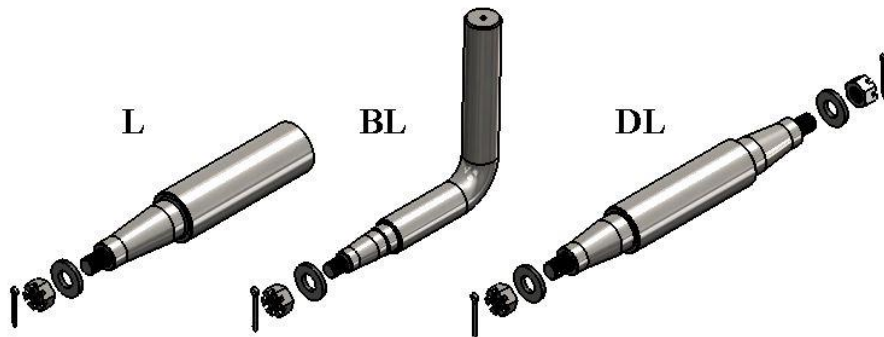


G80-8S/G80-8SB

MOD	CAP LBS	HUB COMP	HUB CUPS	INNER CUP	OUTER CUP	INNER CONE	BORE DIA.	OUTER CONE	BORE DIA.	HUB CAP	BOLT STUD NUT	SEAL	A	B	C	D
G80-8	8000	G281110	G281111	G910292 JLMS06810	G910272 LMS01310	G910923 JLMS06849	2.16	G910273 LMS01349	1.63	G909912	G953027	G906486	2.72	1.50	1.37	0.83
G80-8B	8000	G281120	G281121	G910292 JLMS06810	G910272 LMS01310	G910923 JLMS06849	2.16	G910273 LMS01349	1.63	G909912	G953027	G906486	2.72	1.50	1.37	0.83
G80-8S	8000	G281510	G281509	G910292 JLMS06810	G910272 LMS01310	G910923 JLMS06849	2.16	G910273 LMS01349	1.63	G909930	G913527 G913557	G906486	2.72	1.50	1.37	0.83
G80-8SB	8000	G281512	G281511	G910292 JLMS06810	G910272 LMS01310	G910923 JLMS06849	2.16	G910273 LMS01349	1.63	G909930	G913527 G913557	G906486	2.72	1.50	1.37	0.83

Brake Bolt Pattern For Hubs Above Are 8 On 5.50" B.C. (1/2-20UNF)

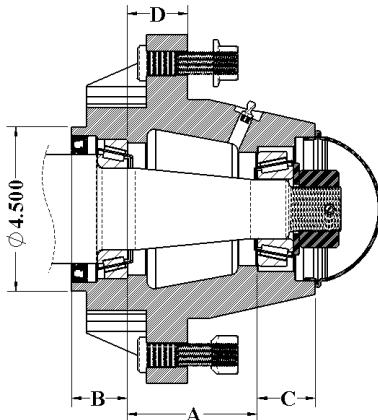
Hub Capacity Based On 0.38" Negative Offset.



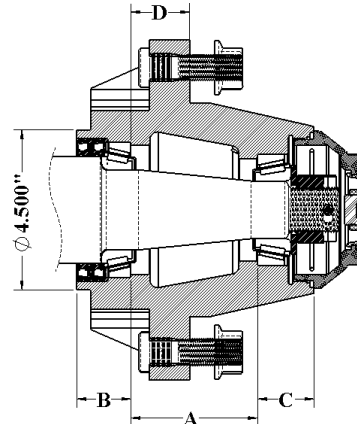
FITS MOD #	MAT'L	MAT'L DIA.	SPINDLE PACKAGE	SPINDLE ONLY	WASHER	NUT	PIN	OVERALL LENGTH	THREAD	SEAL DIA.
G80-8	CRS	3	G281316	G281270	G913624	G912959	G905941	16.00"	1-12 UNF	3.000
G80-8B	CRS	3	G281316	G281270	G913624	G912959	G905941	16.00"	1-12 UNF	3.000
G80-8S	CRS	3	G281316	G281270	G913637	G912962	G905942	18.00"	1-12 UNF	3.000
G80-8S-B	CRS	3	G281316	G281270	G913624	G912962	G905942	18.00"	1-12 UNF	3.000

For customer specific spindle needs, please refer to the Spindle Special Order page (Page 5).

8-Bolt, 8" Bolt Circle, 6" Pilot



G85-8/G85-8B



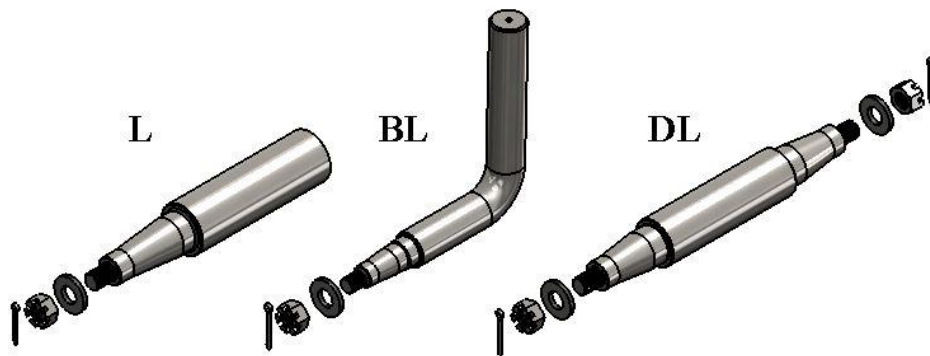
G85-8-OB/G85-8B-OB

MOD	CAP LBS	HUB COMP	HUB CUPS	INNER CUP	OUTER CUP	INNER CONE	BORE DIA.	OUTER CONE	BORE DIA.	HUB CAP	STUDS LUG BOLT	SEAL	A	B	C	D
G85-8	8500	G281810	G281811	G910358 382A	G910278 26882	G910359 387AS	2.25	G910279 26882	1.63	G909930	G953021 G913571	G906486	2.72	1.50	1.37	0.83
G85-8B	8500	G281820	G281821	G910358 382A	G910278 26822	G910359 387AS	2.25	G910279 26882	1.63	G909930	G943541 G912936	G906486	2.72	1.50	1.37	0.83
G85-8 OB	8500	G281830	G281831	G910358 382A	G910278 26822	G910359 387AS	2.25	G910279 26882	1.63	G909930 OB	G943541 G912936	G906486	2.72	1.50	1.37	0.83
G85-8B- OB	8500	G281840	G281841	G910358 382A	G910278 26822	G910359 387AS	2.25	G910279 26882	1.63	G909930 OB	G943541 G912936	G906486	2.72	1.50	1.37	0.83

Brake Bolt Pattern For Hubs Above Are 8 On 5.50" B.C. (1/2-20 UNF).

Hub Capacity Based On 0.38" Positive Offset

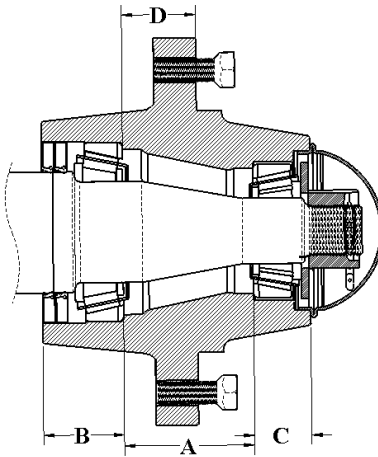
Studs Available In Different Sizes And Lug Nuts Are Available In Flange And Hex



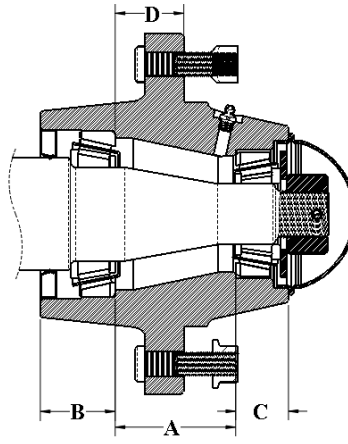
FITS MOD #	MAT'L	MAT'L DIA.	SPINDLE PACKAGE	SPINDLE ONLY	WASHER	NUT	PIN	OVERALL LENGTH	THREAD	SEAL DIA.
G85-8 G85-8-OB	CRS	3.00	G281912	G281913	G913637	G912962	G905941	18.000"	1-1/4-12 UNF	3.000

For customer specific spindle needs, please refer to the Spindle Special Order page (Page 5).

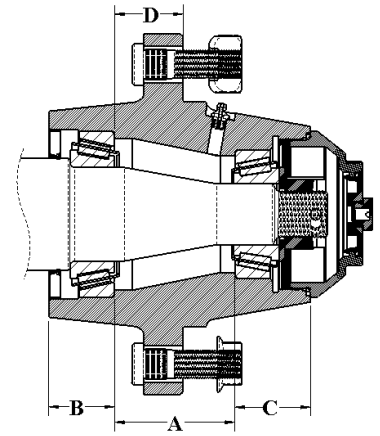
8-Bolt, 8" Bolt Circle, 6" Pilot



G848



G848HS



G848HS-OB

MOD	CAP LBS	HUB COMP	HUB CUPS	INNER CUP	OUTER CUP	INNER CONE	BORE DIA.	OUTER CONE	BORE DIA.	HUB CAP	STUD NUT	SEAL	A	B	C	D
G848	8000	G287840	G287841	G910331 39520	G910352 3525	G910354 39581	2.25	G910355 3585	1.63	G909930	G913555	G906548	3.22	1.28	1.41	1.84
G848HS	10000	G289842	G289843	G910331 39520	G910352 3525	G910333 39585	2.50	G910355 3585	1.63	G909930	G943541 G913557	G906497	3.22	1.28	1.75	1.84
G848H-OB	10000	G289846	G289847	G910331 39520	G910352 3525	G910333 39585	2.50	G910355 3585	1.63	G909930-OB	G943541 G913936	G906497	3.22	1.28	1.75	1.84

G848 Hub Capacity Based On 1.50" Positive Offset.

G848-HS And The G848HS-OB Hubs Are Made From Ductile Material

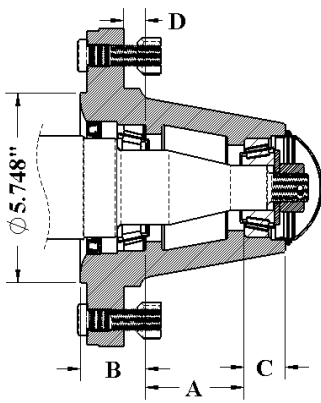
5/8" Studs Standard* And 3/4" Studs Available



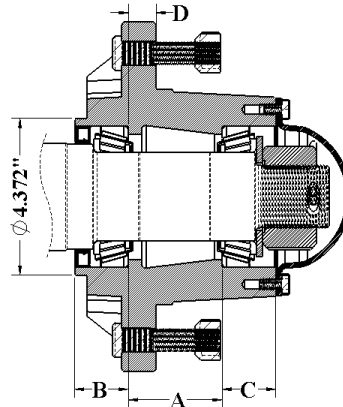
FITS MOD #	MAT'L	MAT'L DIA.	SPINDLE PACKAGE	SPINDLE ONLY	WASHER	NUT	PIN	OVERALL LENGTH	THREAD	SEAL DIA.
G848	CRS	3.625"	G287301	G287300	G913637	G912962	G905941	15.590"	1-1/4-12	3.500"
G848-OB	CRS	3.000"	G281918	G281917	G913637	G912962	G905941	16.000"	1-1/4-12	3.000"
G848HS-OB	CRS	3.000"	G281918	G281917	G913637	G912962	G905941	16.000"	1-1/4-12	3.000"

For customer specific spindle needs, please refer to the Spindle Special Order page (Page 5).

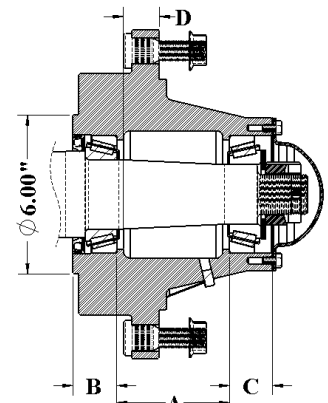
8-Bolt, 8.000" B.C. 6" Pilot / 8-Bolt, 10.827" B.C. 8.69" Pilot



G886



G108/G108B



G801/G801B

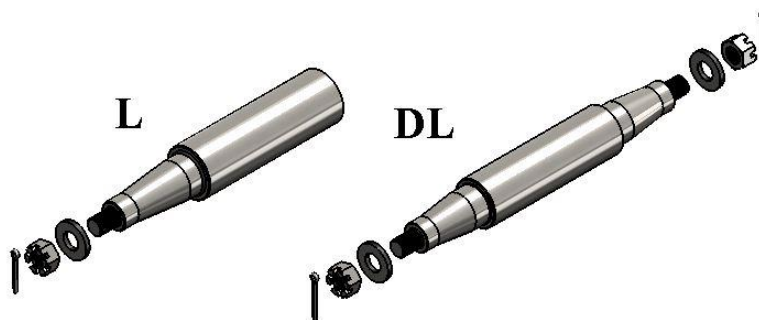
MOD	CAP LBS	HUB COMP	HUB CUPS	INNER CUP	OUTER CUP	INNER CONE	BORE DIA.	OUTER CONE	BORE DIA.	HUB CAP	STUD NUT	SEAL	A	B	C	D
G886	8000	G287130	G287131	G910358 382A	G910285 2720	G910359 387AS	2.25	G910367 2793	1.37	G909982	G913556 G913557	G946484	3.00	1.94	1.25	0.75
G108	10000	G287109	G287108	G910327 28921	G910327 28921	G910326 28995	2.47	G910326 28995	2.47	G909980	G943541 G913557	G906998	2.61	1.50	1.50	0.77
G108B	10000	G281113	G281112	G910327 28921	G910327 28921	G910326 28995	2.47	G910326 28995	2.47	G909980	G943541 G913557	G906998	2.61	1.50	1.50	0.77
G801	10000	G281584	G281583	G910369 3920	G910369 3920	G910370 3984	2.63	G951021 3979	2.25	G909983	G953021 G913571	G906474	4.15	1.66	1.625	1.60
G801B	10000	G281582	G281581	G910369 3920	G910369 3920	G910370 3984	2.63	G951021 3979	2.25	G909983	G953021 G913571	G906474	4.15	1.66	1.625	1.60

G886 Hub Capacity Based On 1.50" Negative Offset

G108S And The G801 Hub Capacity is Based On 0" Offset

Bolt Pattern For Hub G886 Is 8-Bolt On 8.00" (Studs Thru)

Bolt Pattern For Hub G108SB And G801 Is 6-Bolt On 8.25" (1/2-20UNF)



FITS MOD #	MAT'L	MAT'L DIA.	SPINDLE PACKAGE	SPINDLE ONLY	WASHER	NUT	PIN	OVERALL LENGTH	THREAD	SEAL DIA.
G886	CRS	3.125"	G287339	G287338	G913683	G912952	G905936	16.000"	7/8-14	3.000"
G108S	CRS	3.000"	G281920	G281919	G913639	G912932	G905925	20.000"	1-3/4-12	2.940"
G801	CRS	3.250"	G281351	G281350	G913639	G953018	G905925	18.000"	1-1/2-12	3.250"

For customer specific spindle needs, please refer to the Spindle Special Order page (Page 5).