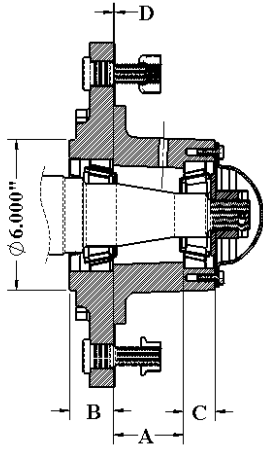
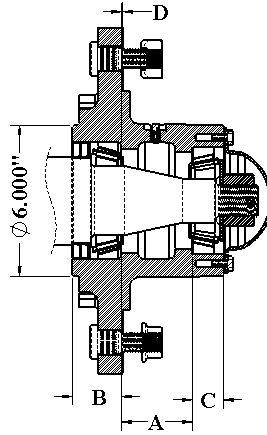


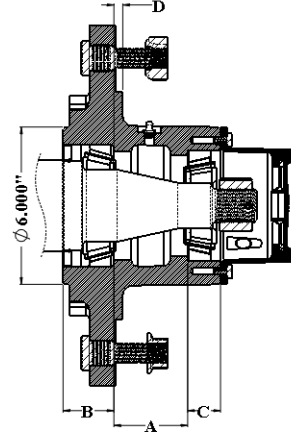
# 10-Bolt, 11.25" Bolt Circle, 8.69" Pilot



**G871/G871B**



**G873/G873B**



**G873D-OB**

MOD	CAP LBS	HUB COMP	HUB CUPS	INNER CUP	OUTER CUP	INNER CONE	BORE DIA.	OUTER CONE	BORE DIA.	HUB CAP	STUD NUT	SEAL	A	B	C	D
G871	12000	G289130	G289141	G910331 39520	G910332 453A	G910333 39585	2.50	G910334 460	1.75	G909983	G953033 G912935	G906497	2.81	1.75	1.25	0.06
G871B	12000	G289157	G289146	G910331 39520	G910332 453A	G910333 39585	2.50	G910334 460	1.75	G909983	G953033 G913571	G906497	2.81	1.75	1.25	0.06
G873	15000	G289127	G289121	G910397 33462	G910332 453A	G910398 33275	2.75	G910334 460	1.75	G909983	G953033 G912935	G946275	2.81	1.75	1.25	0.06
G873B	15000	G289135	G289125	G910397 33462	G910332 453A	G910398 33275	2.75	G910334 460	1.75	G909983	G953033 G913571	G946275	2.81	1.75	1.25	0.06
G873D-OB	16000	G289872	G289873	G910397 33462	G910332 453A	G910398 33275	2.75	G910334 460	1.75	G909983-OB	G953036 G912935	G946275	2.81	1.75	1.25	0.06
G873DB-OB	16000	G289874	G289875	G910397 33462	G910332 453A	G910398 33275	2.75	G910334 460	1.75	G909983-OB	G953036 G913571	G946275	2.81	1.75	1.25	0.06

**\*Brake Pattern For The Above Hubs Is 6 On 8.25" B.C. (1/2-20 UNF) \***

**\*Hub Capacity Based on 0.0" offset.\***

**\* Hubs Are Available In Ductile Material.\***

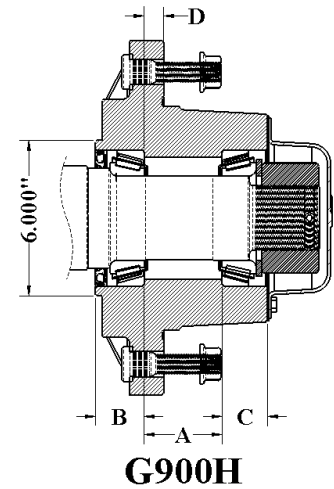
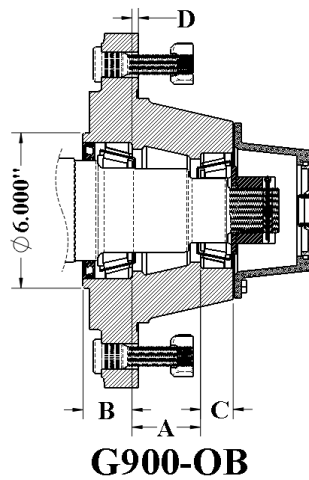
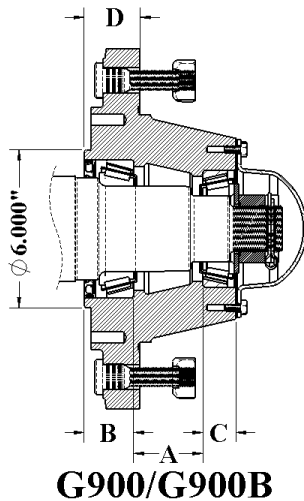
**\*Available with Bud, Flange, or Swivel-Flange Nuts.\***



FITS MOD #	MAT'L	MAT'L DIA.	SPINDLE PACKAGE	SPINDLE ONLY	WASHER	NUT	PIN	OVERALL LENGTH	THREAD	SEAL DIA.
G871 G871B	CRS	3-1/8"	G281309	G281297	G913632	G912969	G905941	17.375"	1-1/4-12	3.000
G873 G873B	CRS	3.375"	G286799	G286802	G913632	G912969	G905941	17.375"	1-1/4-12	3.375
G873D-OB	CRS	3.500"	G286800	G286803	G913632	G912969	G905941	17.375"	1-1/4-12	3.375

**For customer specific spindle needs, please refer to the Spindle Special Order page (Page 5).**

# 10-Bolt, 11.25" Bolt Circle, 8.62" Pilot



MOD	CAP LBS	HUB COMP	HUB CUPS	INNER CUP	OUTER CUP	INNER CONE	BORE DIA.	OUTER CONE	BORE DIA.	HUB CAP	STUD NUT	SEAL	A	B	C	D
G900	18000	G289704	G289703	G910339 47620	G910331 39520	G910338 47687	3.25	G910333 39585	2.50	G909920	G953035 G912935	G946500	2.63	1.88	1.25	0.25
G900B	18000	G289706	G289708	G910339 47620	G910331 39520	G910338 47687	3.25	G910333 39585	2.50	G909920	G953035 G912935	G946500	2.63	1.88	1.25	0.25
G900-OB	18000	G289701	G289702	G910339 47620	G910331 39520	G910338 47687	3.25	G910333 39585	2.50	G909920-OB	G953035 G912935	G946500	2.63	1.88	1.25	0.25
G900B-OB	18000	G289712	G289711	G910339 47620	G910331 39520	G910338 47687	3.25	G910333 39585	2.50	G909920-OB	G953035 G912935	G946500	2.63	1.88	1.25	0.25
G900HD	20000	G289709	G289710	G910339 47620	G910339 47620	G910338 47687	3.25	G910338 47687	3.25	G909922	G953035 G913571	G946500	3.00	1.88	1.25	0.75

\*Brake Pattern For The Above Hubs Is 6 On 8.25" B.C. (1/2-20 UNF)\*

\*Hub Capacity Based On 0.0" Offset.\*

\*Available With 3/4-16 or 22mm Studs/Bud, Flange, Or Swivel Flange Nuts.\*

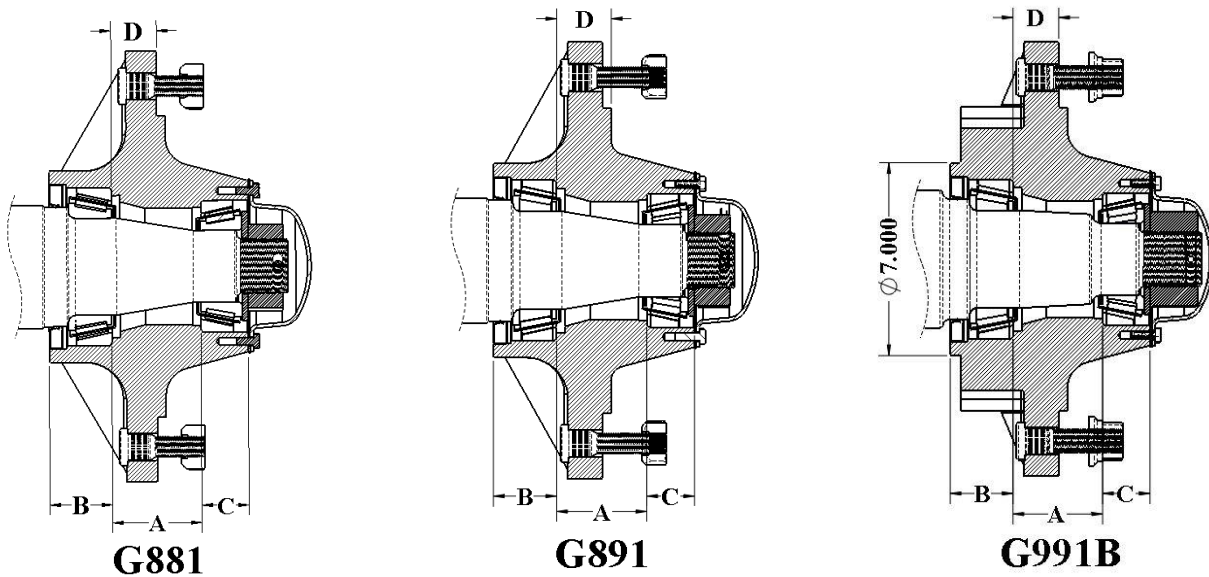
\*Hubs Are Made From Ductile Material\*



FITS MOD #	MAT'L	MAT'L DIA.	SPINDLE PACKAGE	SPINDLE ONLY	WASHER	NUT	PIN	OVERALL LENGTH	THREAD	SEAL DIA.
G900	CRS	4.00"	G286814	G286815	G913639	G912932	G905925	18.000"	1-3/4-12	3.875
G900HD	CRS	4.00"	G286921	G286920	G913640	G912978	G905959	19.063"	2-1/2-12	3.875

For customer specific spindle needs, please refer to the Spindle Special Order page (Page 5).

# 10-Bolt, 13.19" Bolt Circle, 11.02" Pilot



MOD	CAP LBS	HUB COMP	HUB CUPS	INNER CUP	OUTER CUP	INNER CONE	BORE DIA.	OUTER CONE	BORE DIA.	HUB CAP	STUD NUT	SEAL	A	B	C	D
G881	20000	G281170	G281171	G910344 HM218210	G910384 HM212011	G910346 HM218248	3.54	G910347 HM212049	2.62	G909921	G953033 G913571	G906979	3.25	2.28	1.72	1.66
G891	22500	G289171	G289172	G910344 HM218210	G910384 HM212011	G910346 HM218248	3.54	G910347 HM212049	2.62	G909921	G953035 G913571	G906979	3.25	2.28	1.72	1.66
G991B	25000	G281173	G281174	G910344 HM218210	G910384 HM212011	G910346 HM218248	3.54	G910347 HM212049	2.62	G909921	G913472 G913480	G906979	3.25	2.28	1.72	1.66

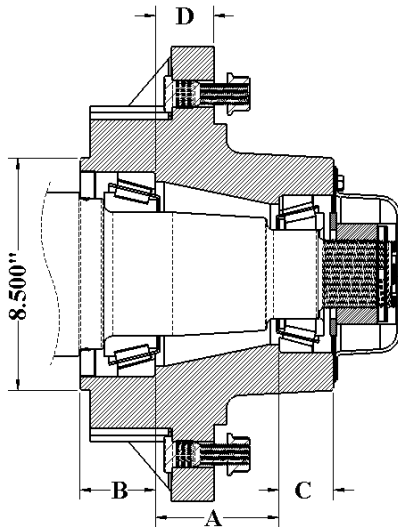
- \* Bolt Pattern For The G991B Model Is 10 On 11.00" B.C. (1/2-20UNF)\*
- \*Hub Capacity Based On 1.50" Positive Offset.\*
- \*Available With 3/4-16 or 22mm Studs/Bud, Flange, Or Swivel Flange Nuts.\*
- \*G891 And The G991B Are Made From Ductile Material.\*



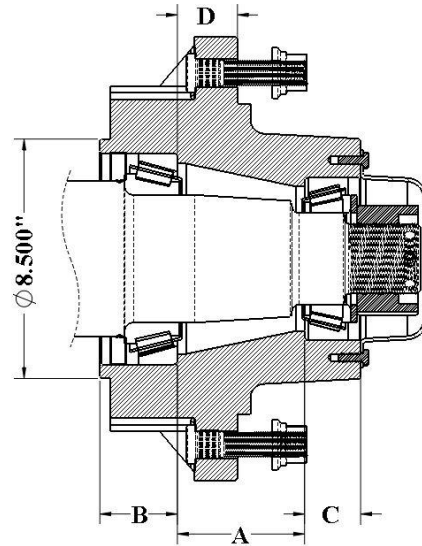
FITS MOD #	MAT'L	MAT'L DIA.	SPINDLE PACKAGE	SPINDLE ONLY	WASHER	NUT	PIN	OVERALL LENGTH	THREAD	SEAL DIA.
G881	CRS	4.50"	G281914	G281915	G913635	G912973	G905957	18.500"	2-12 UNF	4.375
G891	CR-1144	4.50"	G281921	G281922	G913635	G912973	G905957	21.250"	2-12 UNF	4.375
G991	4140	5.00"	G281925	G281926	G913535	G912975	G905957	23.925"	2-12 UNF	4.375

For customer specific spindle needs, please refer to the Spindle Special Order page (Page 5).

# 10-Bolt, 13.19" Bolt Circle, 11.02" Pilot



**G250-10**



**G300-10**

MOD	CAP LBS	HUB COMP	HUB CUPS	INNER CUP	OUTER CUP	INNER CONE	BORE DIA.	OUTER CONE	BORE DIA.	HUB CAP	STUD NUT	SEAL	A	B	C	D
G250-10	30000	G281178	G281177	G910335 71750	G910385 653	G910350 71455	4.53	G910351 663	3.25	G909922	G953035 G913571	G946499	4.51	2.75	1.99	2.13
G300-10	35000	G289184	G289183	G910335 71750	G910385 653	G910350 71455	4.53	G910351 663	3.25	G909922	G913475 G913480	G946499	4.51	2.75	1.99	2.13

**\*Hub Capacity Based On 1.50" Positive Offset\***

**\*Bolt Pattern For Brake Version Hub Is 10 on 11.00" B.C. (1/2-20 UNF)\***

**\*Available With 3/4-16 or 22mm Studs/Bud, Flange, Or Swivel Flange Nuts.\***

**\*G300-10 Hub Is Made From Ductile Material\***

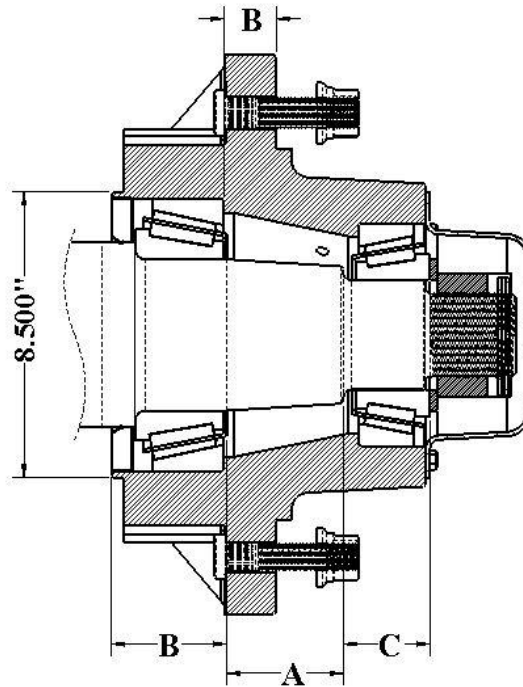


L

FITS MOD #	MAT'L	MAT'L DIA.	SPINDLE PACKAGE	SPINDLE ONLY	WASHER	NUT	PIN	OVERALL LENGTH	THREAD	SEAL DIA.
G250-10 G300-10	CRS	6.00"	G281931	G281932	G913640	G912978	G905959	25.345"	2-1/2-12 UNF	5.500

For customer specific spindle needs, please refer to the Spindle Special Order page (Page 5).

# 10-Bolt, 13.19" Bolt Circle, 11.02" Pilot



## G500-10

MOD	CAP LBS	HUB COMP	HUB CUPS	INNER CUP	OUTER CUP	INNER CONE	BORE DIA.	OUTER CONE	BORE DIA.	HUB CAP	STUD NUT	SEAL	A	B	C	D
G500-10	50000	G289190	G289191	G910400 930	G910405 832	G910401 938	4.50	G910406 842	3.25	G909924	G913475 G913480	G946550	4.63	3.38	2.50	1.63

**\*Hub Capacity Based On 1.50" Offset.\***

**\*Bolt Pattern For Brake Version Hub Is 10 On 11.00" B.C. (1/2-20 UNF).\***

**\*G500-10 Hub Is Made From Ductile Material\***



L

FITS MOD #	MAT'L	MAT'L DIA.	SPINDLE PACKAGE	SPINDLE ONLY	WASHER	NUT	PIN	OVERALL LENGTH	THREAD	SEAL DIA.
G500-10	4140/1144	6.00"	G281939	G281938	G913640	G912978	G905959	25.000"	2-1/2-12	5.500

For customer specific spindle needs, please refer to the Spindle Special Order page (Page 5).